



Dell Networking W-7005-MNT-19 Mounting Kit Installation Guide

This document provides installation instructions for mounting the W-7005 controller in a two-post 19-inch Telco rack.

Package Contents

- Rack mount tray
- Four M3 x 5 mm flat head screws
- Four M6 x 15 mm Phillips pan head screws
- Four M6 Cage Nut
- Four M6 Clip Nut
- Installation Guide (this document, printed)

Rack Mount Installation

This mounting option allows mounting the W-7005 controller in a two-post 19-inch Telco rack.

Required Tools and Equipment

The following tools and equipment are required for installing a W-7005 controller:

- Rack mount tray (x1) for rack mount installation
- M3 x 5 mm flat head screws (x4) for securing the controller on the rack mount tray
- M6 x 15 mm Phillips pan head screws (x4) for rack mount
- M6 cage nut (x4): Optional
- M6 clip nut (x4): Optional
- Suitable screwdrivers for all screw types provided in the box (not included in the kit)



NOTE: Some racks require screws that differ from those included with the W-7005 controller accessory kit. Ensure that you have the correct screws before installing the W-7005 controller.

Installation Steps

To install a W-7005 controller into a two post 19-inch rack:

1. Route and secure the DC power cable correctly into the slot provided at the bottom of the controller. See [Figure 1](#).
2. Place the controller on the rack mount tray such that the DC cable is not obstructed. See [Figure 2](#).

Figure 1 DC Cable Routing Slot

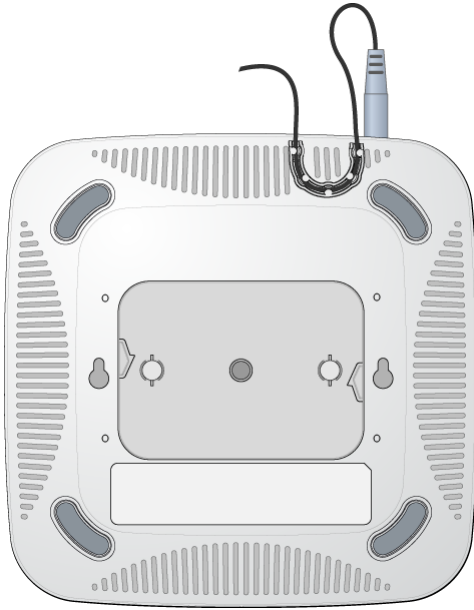
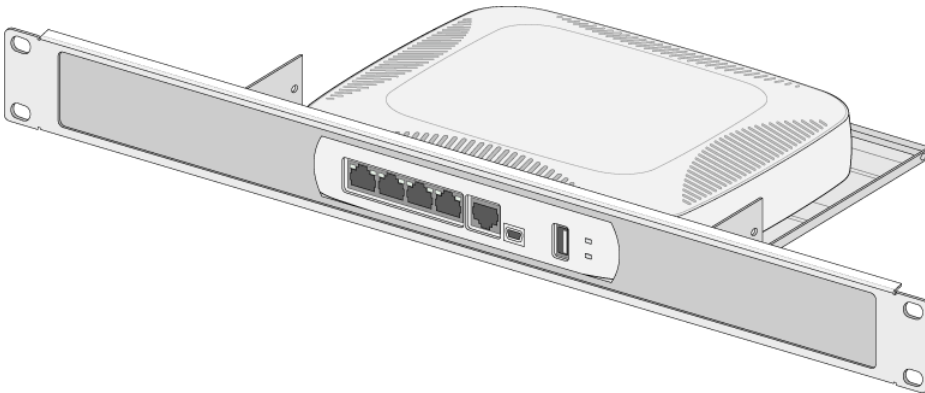
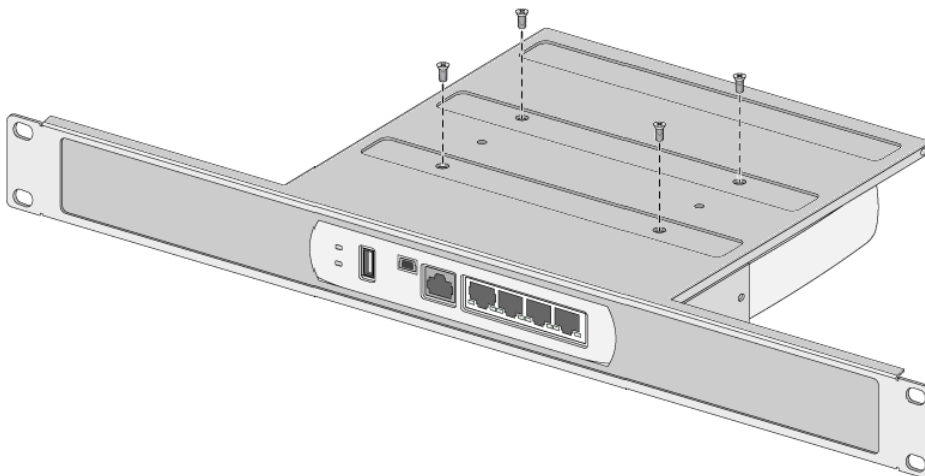


Figure 2 DC Cable and Rack Mount Tray



3. Turn the rack mount tray up side down to align the controller with the screw holes on the tray. Secure the controller with four M3 x 5 mm flat head screws using a suitable screwdriver. See [Figure 3](#).

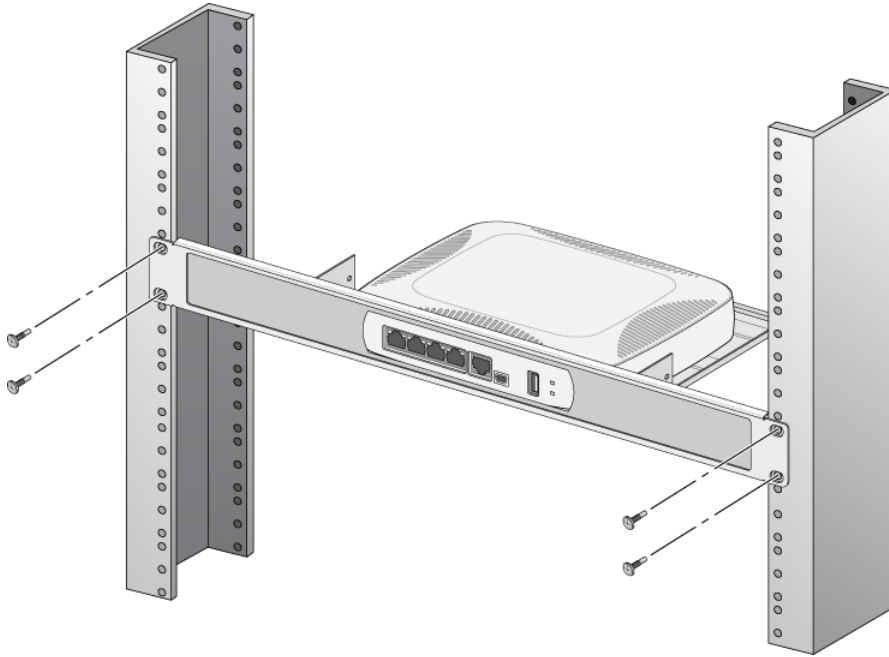
Figure 3 Controller Installation on the Tray



4. In the desired rack system, if the rack requires cage nut or clip nut, insert it on the front rails (two per rail, aligned horizontally).

5. Mount the rack mount tray within the two-post 19-inch rack using four M6 x 15 mm Phillips pan head screws and a suitable screwdriver. See [Figure 4](#).

Figure 4 *Rack Mount Installation*



Rack mount installation of a W-7005 controller is now complete.

Contacting Dell

Table 1 Contact Information

Web Site Support	
Main Website	dell.com
Contact Information	dell.com/contactdell
Support Website	dell.com/support
Documentation Website	dell.com/support/manuals

Copyright

© 2015 Aruba Networks, Inc. Aruba Networks trademarks include  **airwave**, Aruba Networks®, Aruba Wireless Networks®, the registered Aruba the Mobile Edge Company logo, and Aruba Mobility Management System®. Dell™, the DELL™ logo, and PowerConnect™ are trademarks of Dell Inc.

All rights reserved. Specifications in this manual are subject to change without notice.

Originated in the USA. All other trademarks are the property of their respective owners.

Open Source Code

Certain Aruba products include Open Source software code developed by third parties, including software code subject to the GNU General Public License (GPL), GNU Lesser General Public License (LGPL), or other Open Source Licenses. Includes software from Litech Systems Design. The IF-MAP client library copyright 2011 Infoblox, Inc. All rights reserved. This product includes software developed by Lars Fenneberg, et al. The Open Source code used can be found at this site: http://www.arubanetworks.com/open_source

Legal Notice

The use of Aruba Networks, Inc. switching platforms and software, by all individuals or corporations, to terminate other vendors' VPN client devices constitutes complete acceptance of liability by that individual or corporation for this action and indemnifies, in full, Aruba Networks, Inc. from any and all legal actions that might be taken against it with respect to infringement of copyright on behalf of those vendors.

